

# ALVAR



# VILMERS

# ALVAR



Feathers



Loose cushions



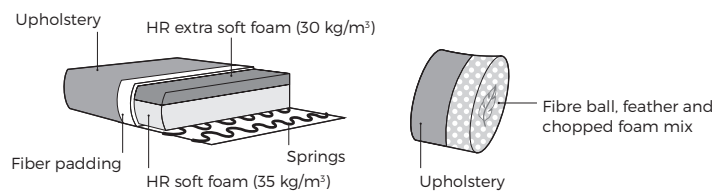
Removable cover



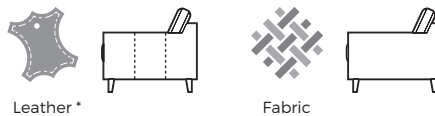
Daybed



## Comfort

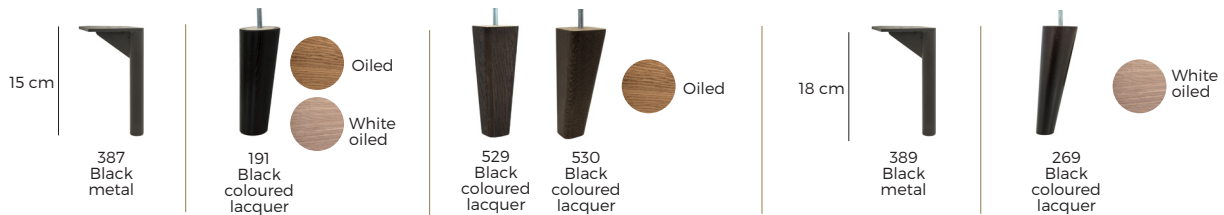


## 1. Upholstery



\* LEATHER UPHOLSTERY MAY REQUIRE MORE STITCHES THAN FABRIC UPHOLSTERY.

## 2. Legs



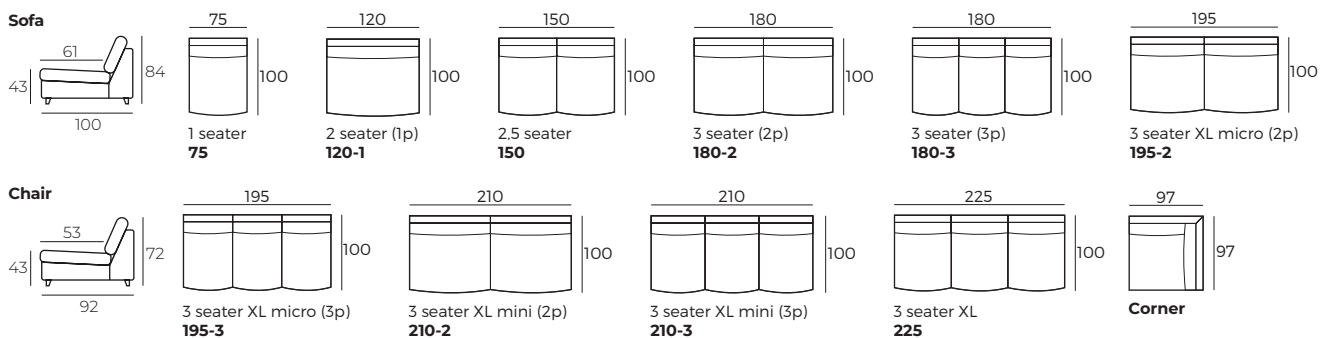
### IMPORTANT:

Upholstered furniture is handmade using soft materials, therefore measurements can vary in all modules by up to **+/-2 cm**.  
Modules and combinations shown in 2D drawings are left-sided. Modules and combinations can be mirrored from left to right.

For an additional fee, the sides of each seater module can be covered in fabric.

## Modules

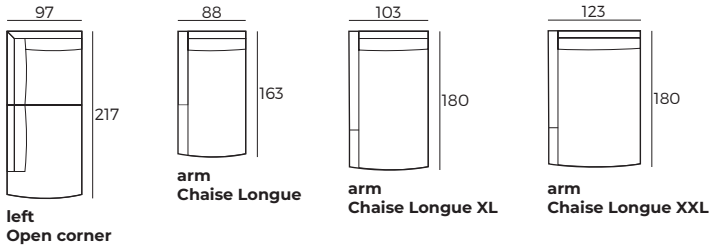
Scale 1:100



# ALVAR

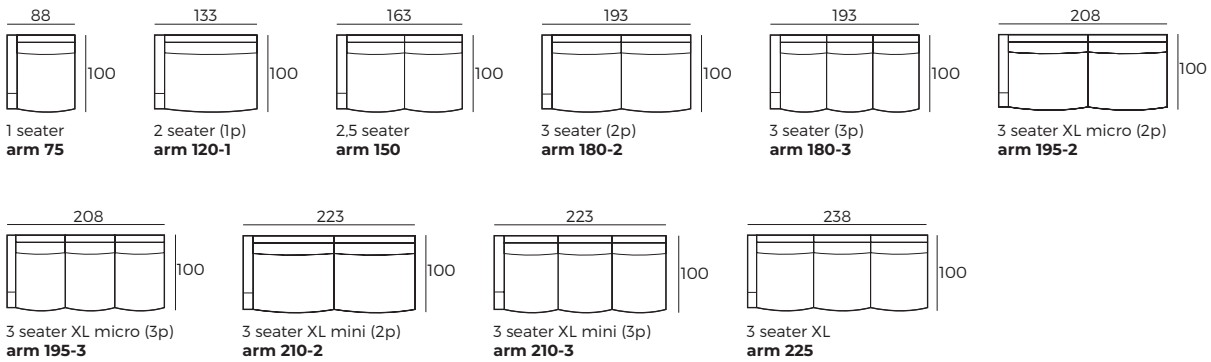
## Modules

Scale 1:100

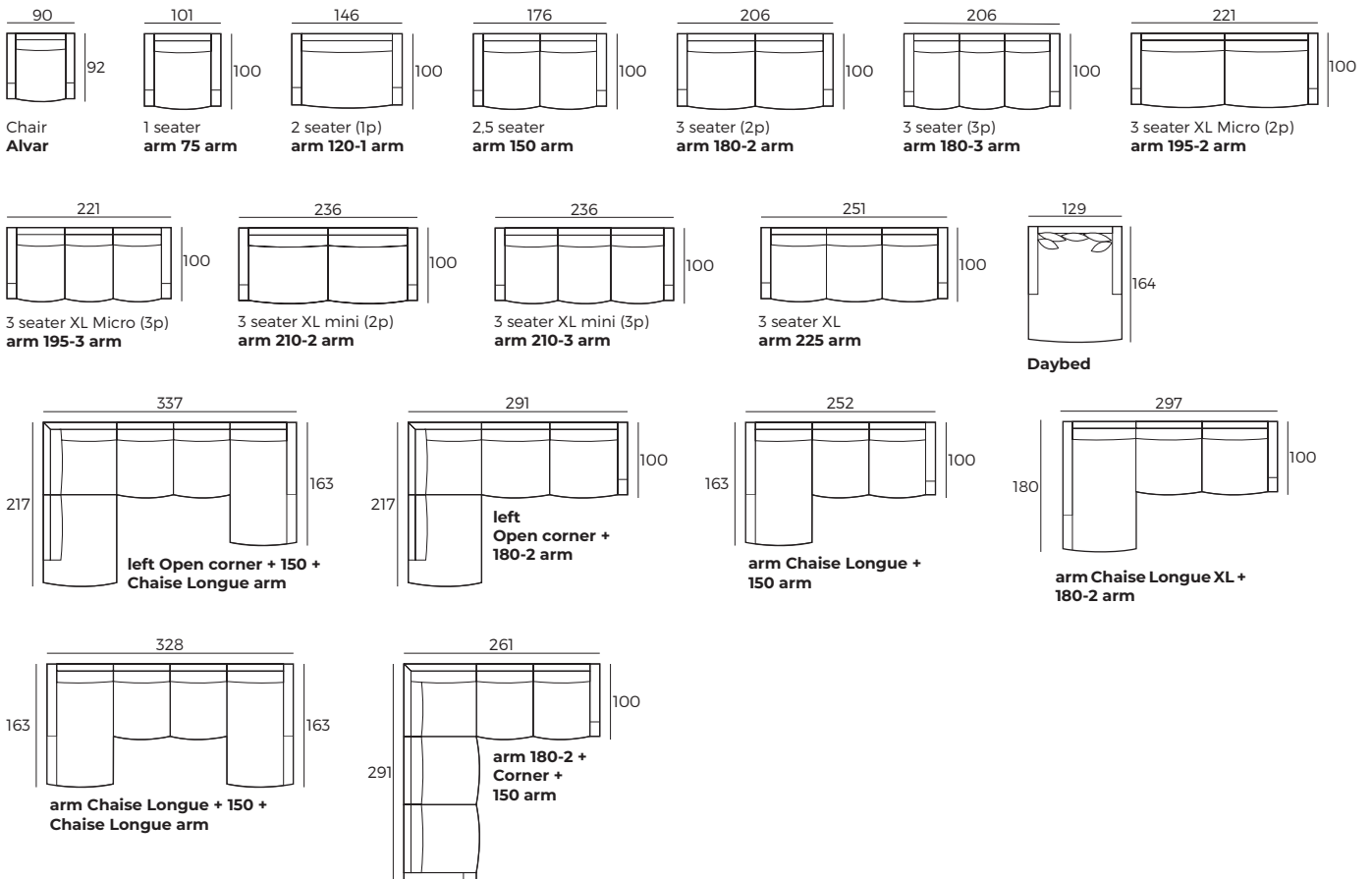


## Modules with armrest

Scale 1:100



## Combinations



## Accessories

